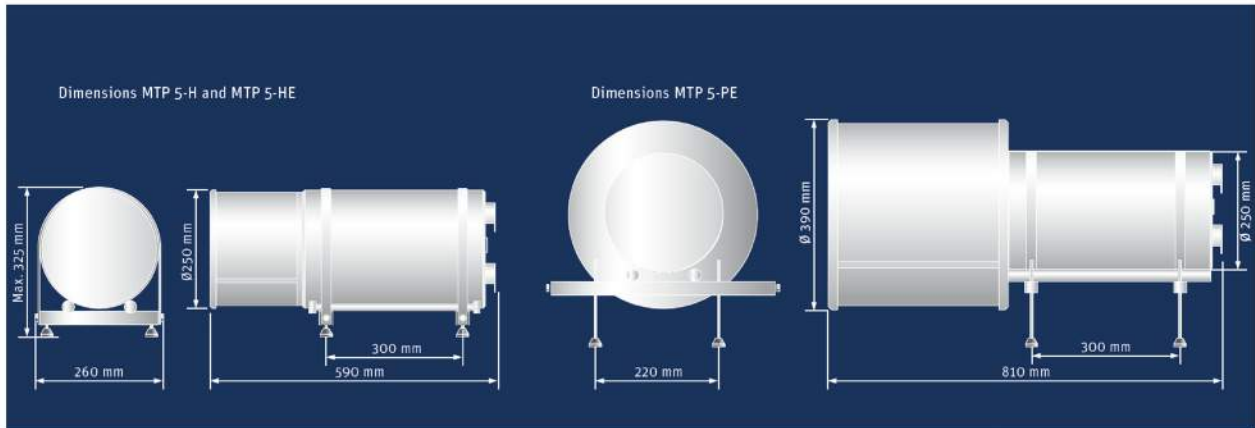


MTP-5 always with a profile meteorological temperature profiler



Specifications	MTP-5 H	MTP-5 HE	MTP-5 RE	MTP-5 PE
Altitude range	0 - 1000 m			
Displayed height interval	50 m	25m (0-100) 50 m (100-1000)	10m (0-100), 25m (100-200) and 50m (200-1000)	
Altitude accuracy	± 25%			
Measurement interval	minimum 180 seconds			
Temperature accuracy(RMS)	± 0.2°C to ± 0.5°C (1)	± 0.3°C to ± 1.2°C (1)	± 0.25 °C to ± 1.2 °C (1)	
Radiometer MTBF	5 years	7 years		
Receiver sensitivity (1 second integration time)	0.04°C	0.07°C		
Field of view, conical	3°		1°	
Operating temperature range	-40°C to +50°C			-80°C to +45°C
Environmental effects	No effect from rain, fog or snow	Decrease in accuracy in heavy rain		
Scanner	Rotating cover and parabolic reflector driven by stepping motor, conical antenna and receiver fixed to chassis on scanner axis, rotating cover sheds precipitation.			
Communication to PC	Serial RS 232 (2)			
Power requirements AC/DC power supply	220 VAC/ 110 VAC, 1A/ 2A, 50 - 60 Hz			
Power consumption MTP-5	Maximum 12 VDC / 120 W (60 W average)			
Self-calibration	Automatic before each measurement			
Correction for dirt or precipitation on cover	Automatic until cleaning needed due to poor signal-to-noise ratio			
Instrument dimensions, nominal	59 cm long x 25 cm diameter		81 cm long x 39 cm diameter	
Instrument weight, nominal	20 kg		25 kg	

(1) MTP-5 temperature accuracy decreases with altitude and depends upon the temperature profile shape.

(2) MTP-5 must be connected to a PC (not included) running the MTP-5 operating software in order to make measurements and store data.